

Green Mode PWM Controller

Features

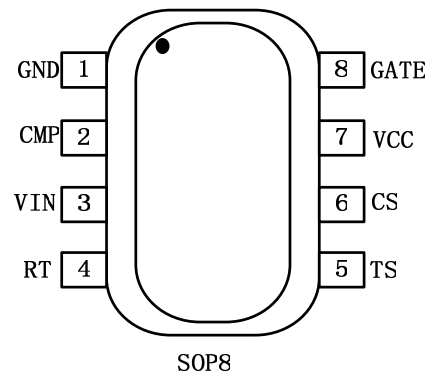
- Frequency jitter function to improve EMI performance of power supply
- No-audible-noise green mode Control
- External Programmable PWM Switching Frequency
- Internal Slope Compensation
- Low VCC Startup Current and Low Operating Current
- Leading Edge Blanking
- UVLO
- Gate Max Output Voltage Clamp at 18V
- Overload Protection (OLP)
- Line Compensation Over Current Protection (OCP)
- With or without VCC OVP
- External programmable OTP

Applications

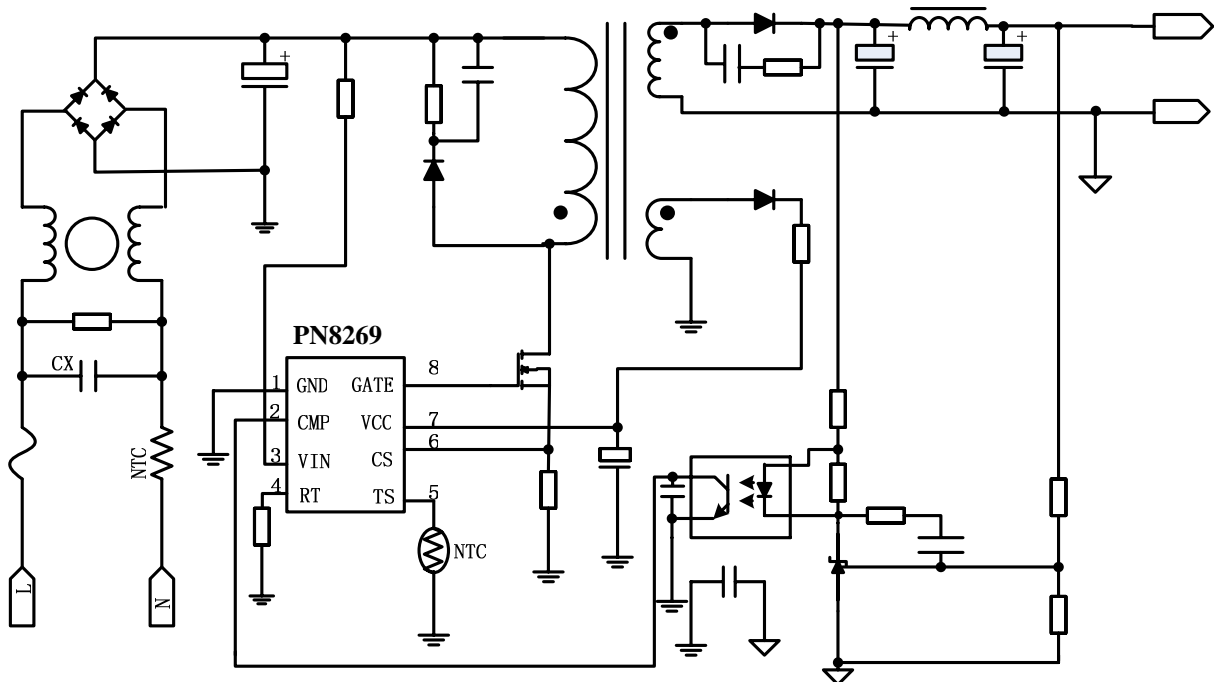
Offline AC/DC flyback converter for

- Battery Charger
- Power Adaptor
- Set-Top Box Power Supplies
- Open-frame SMPS

Package



Typical Application



Typical Application Circuit